

# NEC 17 & 19" : Overview

The 17" and 19" NEC touch screen monitor offers a professional display with superb price/performance ratio.

## Description

- 17" or 19" LCD screen with TN+film TFT display
- Resistive touch screen
- Stylish housing with a silver plastic bezel, a black plastic back cabinet and black plastic stand.

## Features

- Slim bezel design
- Stable and excellent picture quality with Non-Touch-Auto Adjustment.
- Cable Management
- Low power consumption for reduced total cost of ownership
- 100mm VESA standard versatile installation
- Height adjustable stand
- Multiple ports for maximum connectivity
- Integrated Speakers



## Certificates



# NEC 17 & 19" : Specification

**Display:** [inch/cm] 17/43.2 -19/48.2 LCD TN+ film TFT screen

**Touch screen technology:** Resistive

**Pixel Pitch:** [mm] 17": 0.264 – 19": 0.294

**Viewing Angle:**

17": 160° horizontal / 160° vertical (typ. at contrast ratio 10:1);  
176° horizontal / 170° vertical (typ. at contrast ratio 5:1);

19": 140° horizontal / 125° vertical (typ. at contrast ratio 10:1);  
160° horizontal / 145° vertical (typ. at contrast ratio 5:1)

**Contrast Ratio:** (typ.): 17": 700:1 – 19":550:1

**Brightness:** (typ.) [cd/m<sup>2</sup>] 17": 300 - 19": 270

**Response Time:** (typ.) [ms]

17": 5 (1 white / black; 4 black / white)

19": 8 (2 white / black; 6 black / white)

**Colours:** [Mio.] 17": 16.7 – 19": 16.2

**Horizontal Frequency:** [kHz] 31.5 - 81.1

**Vertical Frequency:** [Hz] 55 - 76

**Optimum Resolution:** 1280 x 1024 at 60 Hz

**Other Resolutions:** 1280 x 960; 1152 x 870;  
1152 x 864; 1024 x 768; 832 x 624; 800 x 600;  
720 x 400; 640 x 480

**Connectors:** Digital: 1 x DVI-D; Analog: 1 x mini  
D-sub 15 pin (19" available as serial or USB)

**Touch connector type:** USB or serial (Serial  
connection powered internally, so there is no  
need for a PS2 connection)

**Plug & Play:** VESA DDC/CI; DDC2B/2Bi; EDID Standard

**Adjust Functions:** Auto Adjust; Brightness; Colour  
Temperature Control; Contrast; Fine Adjust (analogue);  
Language Select; Monitor Information;  
NTAA (Non-Touch-Auto-Adjustment);  
On-Screen-Manager (OSM) lockout; Volume.

**Safety and Ergonomics:** CE; TCO'03; TÜV  
ergonomics approved; TÜV GS; Energy Star;  
FCC Class B; PCT/Gost; UL/C-UL or CSA; ISO  
13406-2 (pixel failure class II); MPR II/ MPR III; RoHS

**Power Requirements on Mode [W]:**

17": 34 (typ.) – 19": 37 (typ)

**Power Requirements Power-saving Mode [W]:** < 2

**Power Supply:**

17": 100-120 V/220-240 V;  
0.6 A/0.4 A; integrated power supply

19": 100-120 V/220-240 V; 0.8 A/0.5 A; integrated power supply

**Ambient Temperature:** (operating) [°C] +5 to +35

**Ambient Humidity:** (operating) [%] 10 to 80

**VESA Mounting:** [mm] 100 x 100

**ErgoDesign®: Height Adjustable Stand:** [mm] 50

**Dimensions:** (W x H x D) [mm] 17": 368 x 358.5 x 230  
19": 406 x 368 x 240

**Screen Tilt:** [°] -5 to +30

**Bezel Width:** [mm] 17": 14.2 – 19": 13.7

**Cable Management:** yes

**Kensington Lock:** yes

**Weight:** [kg] 17": 4.8 – 19": 6

**Specials:** Analog/Digital Interface; NaViSet®  
and NaViSet® Administrator compatible;  
Rapid Response Technology

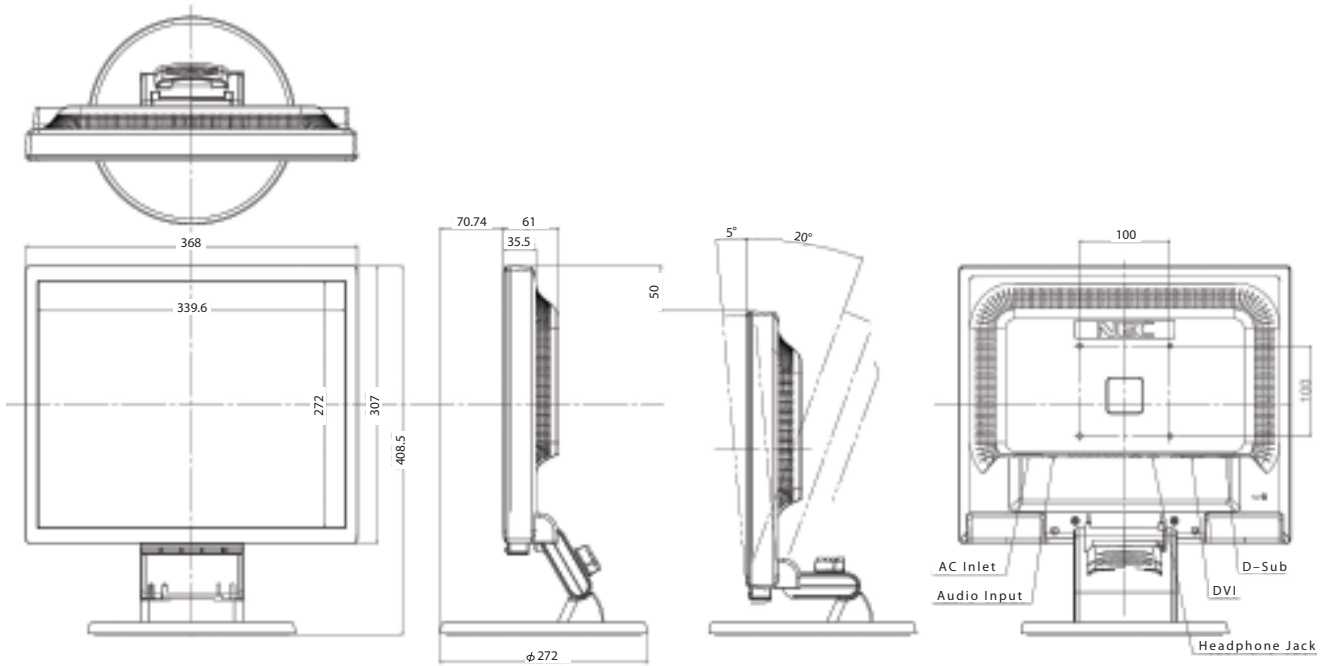
**Audio Functions:** Integrated Speakers (1W +  
1W); Headphone jack (17" only)

**Colour Versions:** Silver Front Bezel, Black Back Cabinet;  
Silver Front Bezel, Light Grey Back Cabinet

**Shipping Content:** Monitor; Power Cable;  
Signal Cable VGA - VGA; Audio Cable; CDRom;  
Sales Office List; Manual

**Warranty:** 1 year RTB

17"



19"

